

XGD series / GTO snubber

GENERAL TECHNICAL CHARACTERISTICS

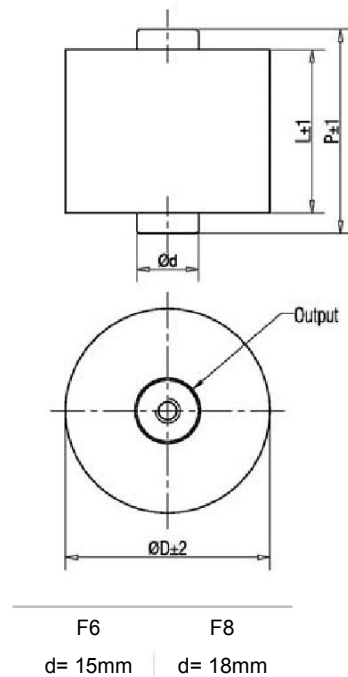
Reference standards : IEC 61071-60068
 Dielectric : Polypropylene film
 Construction : Extended metallized film with internal series connection
 Dry construction, Non-inductive type
 Coating : Polyester tape wrapping, UL94V-0 resin end fill
 Leads: Threaded insert M6 or M8 filled with resin

ELECTRICAL CHARACTERISTICS

Operating temperature range: - 40 to + 85 °C (case)
 Capacitance : 0.068 to 3.0μF
 Rated Voltage : 4k to 12k V DC
 Tolerance : ± 5% , ± 10%
 Dissipation factor: $\leq 8 \times 10^{-4}$ Measured at 1000±20 Hz and 25±5°C
 Life expectancy : 100,000 hours at Un and 70 °C (Hot-spot temperature).

TEST METHODS AND PERFORMANCES

Dielectric strength: 1.5Un (DC) applied for 10s at 25±5°C
 Test voltage terminal to case : 3kVAC/50Hz for 60s
 Insulation resistance : 30000s but need not exceed 30GΩ (typical value), after 1 minute of electrification at 100Vdc (25±5°C)



Electrical specifications, ordering codes

Cap (μF)	Dimension (mm)				ESR @10kHz	Ls (nH)	du/dt (v/μs)	Ipeak (A)	Urms (VAC)	Ordering Code
	L	D	Outp	P						
Un 4000VDC Us 6000V										
0.68	50	50	M6*8	61	2.1	25	1010	687	1600	XGD-4000-0.68-50F6
0.75	50	52	M6*8	61	1.9	25	1010	758	1600	XGD-4000-0.75-50F6
1.0	50	60	M8*8	61	1.5	25	1010	1010	1600	XGD-4000-1.0-50F8
1.25	50	67	M8*8	61	1.3	25	1010	1263	1600	XGD-4000-1.25-50F8
1.5	50	73	M8*8	61	1.1	25	1010	1515	1600	XGD-4000-1.5-50F8
2.0	50	84	M8*8	61	0.9	25	1010	2020	1600	XGD-4000-2.0-50F8
2.5	50	93	M8*8	61	0.8	25	1010	2525	1600	XGD-4000-2.5-50F8
0.68	64	38	M6*8	76	4.0	25	770	524	1500	XGD-4000-0.68-64F6
1.0	64	45	M6*8	76	3.0	25	770	770	1500	XGD-4000-1.0-64F6
1.5	64	55	M6*8	76	2.5	25	770	1155	1500	XGD-4000-1.5-64F6
2.0	64	63	M8*8	76	2.0	25	770	1540	1500	XGD-4000-2.0-64F8
2.5	64	70	M8*8	76	1.8	25	770	1925	1500	XGD-4000-2.5-64F8
3.0	64	76	M8*8	76	1.6	25	770	2310	1500	XGD-4000-3.0-64F8
Un 5000VDC Us 7500V										
0.50	50	53	M6*8	61	2.2	25	1130	565	2000	XGD-5000-0.50-50F6
0.68	50	62	M8*8	61	1.7	25	1130	768	2000	XGD-5000-0.68-50F8
0.75	50	65	M8*8	61	1.6	25	1130	848	2000	XGD-5000-0.75-50F8
1.0	50	74	M8*8	61	1.3	25	1130	1130	2000	XGD-5000-1.0-50F8
Un 6000VDC Us 9000V										
0.50	64	52	M6*8	77	2.7	25	1240	620	2400	XGD-6000-0.50-64F6
0.68	64	61	M8*8	77	2.1	25	1240	843	2400	XGD-6000-0.68-64F8
0.75	64	64	M8*8	77	1.9	25	1240	930	2400	XGD-6000-0.75-64F8
1.0	64	73	M8*8	77	1.5	25	1240	1240	2400	XGD-6000-1.0-64F8

xGD Series – GTO Snubber

XGD series / GTO snubber
Electrical specifications, ordering codes

Cap (μ F)	Dimension (mm)				ESR @10kHz (m Ω)	Ls (nH)	du/dt (v/ μ s)	Ipeak (A)	Urms (VAC)	Ordering Code
	L	D	Outp	P						
Un 6000VDC		Us 9000V								
0.50	90	40	M6*8	100	5.0	25	950	475	2250	XGD-6000-0.50-90F6
0.68	90	46	M6*8	100	3.8	25	950	646	2250	XGD-6000-0.68-90F6
1.0	90	55	M6*8	100	2.7	25	950	950	2250	XGD-6000-1.0-90F6
1.5	90	66	M8*8	100	1.9	25	950	1425	2250	XGD-6000-1.5-90F8
2.0	90	76	M8*8	100	1.5	25	950	1900	2250	XGD-6000-2.0-90F8
2.2	90	80	M8*8	100	1.4	25	950	2090	2250	XGD-6000-2.5-90F8
Un 8000VDC		Us 12000V								
0.33	80	49	M6*8	93	4.0	25	1430	472	3200	XGD-8000-0.33-80F6
0.50	80	60	M8*8	93	2.7	25	1430	715	3200	XGD-8000-0.50-80F8
0.68	80	70	M8*8	93	2.1	25	1430	972	3200	XGD-8000-0.68-80F8
0.75	80	73	M8*8	93	1.9	25	1430	1073	3200	XGD-8000-0.75-80F8
0.33	114	38	M5*8	104	7.4	25	1100	363	3000	XGD-8000-0.33-114F5
0.50	114	45	M6*8	104	5.0	25	1100	550	3000	XGD-8000-0.50-114F6
0.68	114	52	M6*8	104	3.8	25	1100	748	3000	XGD-8000-0.68-114F6
0.82	114	57	M6*8	104	3.2	25	1100	902	3000	XGD-8000-0.82-114F6
1.0	114	63	M8*8	104	2.7	25	1100	1100	3000	XGD-8000-1.0-114F8
1.5	114	76	M8*8	104	1.9	25	1100	1650	3000	XGD-8000-1.5-114F8
Un 10000VDC		Us 15000V								
0.33	98	55	M6*8	109	4.0	25	1600	528	4000	XGD-10000-0.33-98F6
0.5	98	67	M8*8	109	2.7	25	1600	800	4000	XGD-10000-0.50-98F8
0.68	98	77	M8*8	109	2.1	25	1600	1088	4000	XGD-10000-0.68-98F8
0.75	98	81	M8*8	109	1.9	25	1600	1200	4000	XGD-10000-0.75-98F8
1.0	98	93	M8*8	109	1.5	25	1600	1600	4000	XGD-10000-1.0-98F8
1.25	98	104	M8*8	109	1.3	25	1600	2000	4000	XGD-10000-1.25-98F8
Un 12000VDC		Us 18000V								
0.22	114	49	M6*8	125	5.8	25	1750	385	4800	XGD-12000-0.22-114F6
0.33	114	60	M8*8	125	4.0	25	1750	578	4800	XGD-12000-0.33-114F8
0.5	114	73	M8*8	125	2.7	25	1750	875	4800	XGD-12000-0.50-114F8

XGD- 5000 - 0.5 - **50** **F**
6

50 Length of capacitor
F6 **L&** Terminals type or line connection

XGD Series – GTO Snubber