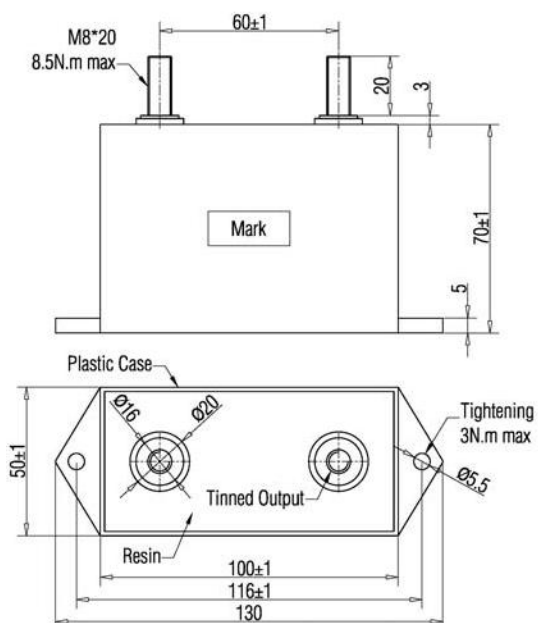


# XGH series / High Frequency Resonance



## GENERAL TECHNICAL CHARACTERISTICS

Reference standards : IEC 61071 60068 60384  
 Dielectric : Polypropylene film  
 Construction : Extended metallized film, Dry construction.  
 Coating : Self extinguishing plastic case UL94V0  
 Leads : Lead screw M8

## ELECTRICAL CHARACTERISTICS

Operating temperature range : - 40 to + 85 °C (case)  
 Capacitance : 0.06 to 10µF  
 Peak to peak Voltage : 500 to 3000 VAC  
 Tolerance : ± 5% ,  
 Dissipation factor:  $5 \times 10^{-4}$  Measured at 1000±20 Hz and 25±5° C .  
 Life expectancy : 100,000 hours at Un and 70 °C (Hot-spot temperature).

## TEST METHODS AND PERFORMANCES

Dielectric strength: 1.5Urms(AC) applied for 60s at 25±5° C  
 Test voltage terminal to case : 3kVAC/50Hz for 60s  
 Insulation resistance : ≥ 5000 s after 1 minute of electrification at 100Vdc (25±5° C)

Cap (µF)	Full Power kHz	Irms@25°C 10KHz(A)	du/dt (v/µs)	Ipeak (A)	ESR@100k Hz (mΩ)	Ordering Code
<b>Up-peak 500VAC Urms 250VAC</b>						
10	8	100	240	2400	1.1	XGH-500-10-M
7.5	10	100	250	1857	1.2	XGH-500-7.5-M
<b>Up-peak 750VAC Urms 350VAC</b>						
6.8	10	100	300	2040	1.2	XGH-750-6.8-M
5.0	14	100	300	1500	1.2	XGH-750-5.0-M
<b>Up-peak 1000Vac Urms 400VAC</b>						
4.7	10	100	460	2162	1.1	XGH-1000-4.7-M
3.3	13	100	470	1551	1.2	XGH-1000-3.3-M
1.5	27	90	1010	1515	1.2	XGH-1000-1.5-M
1.0	40	90	1390	1390	1.3	XGH-1000-1.0-M
<b>Up-peak 1500VAC Urms 550VAC</b>						
1.0	33	80	590	590	2.6	XGH-1500-1.0-M
0.68	32	75	920	626	2.8	XGH-1500-0.68-M
0.60	36	75	920	552	2.9	XGH-1500-0.60-M
<b>Up-peak 2000VAC Urms 750VAC</b>						
1.0	15	70	590	590	2.6	XGH-2000-1.0-M
0.68	22	70	660	449	2.8	XGH-2000-0.68-M
0.47	27	60	1230	578	2.9	XGH-2000-0.47-M
0.33	39	60	1350	446	3.1	XGH-2000-0.33-M
<b>Up-peak 3000VAC Urms 1000VAC</b>						
0.24	33	50	1960	470	3.2	XGH-3000-0.24-M
0.15	48	45	2950	443	3.5	XGH-3000-0.15-M
0.12	53	40	3350	402	3.8	XGH-3000-0.12-M
0.10	64	40	3350	335	4.1	XGH-3000-0.10-M
0.06	80	30	4740	284	7.6	XGH-3000-0.06-M

<b>XGH</b> - Series	<b>3000</b> Voltage	<b>0.12</b> - Capacitance	<b>M</b> Dimension and terminal
---------------------	---------------------	---------------------------	---------------------------------

**M** Terminals code , M for lead screw

41.XGH Series – High Frequency Resonance